

freeway

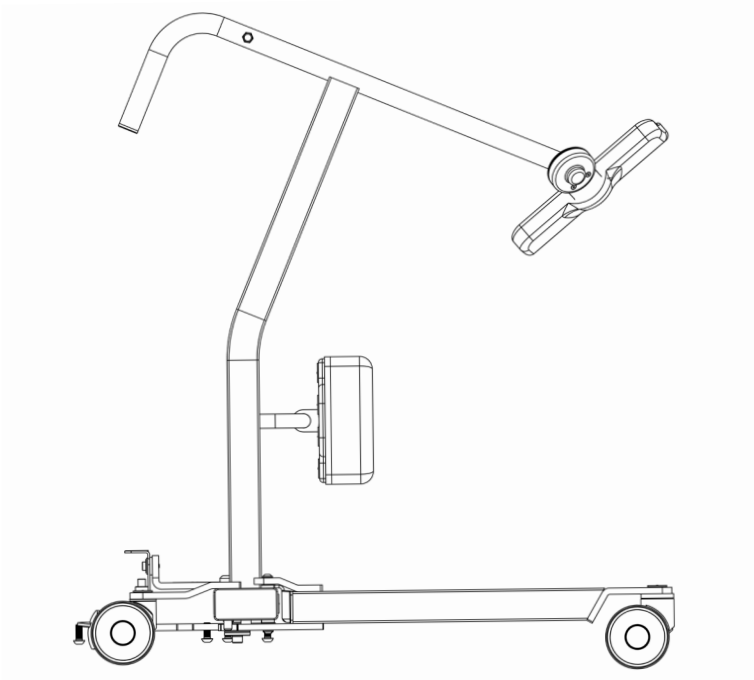
TA180

TRANSFER AID



SPARE PARTS MANUAL

1. Contents



Description	Page(s)
Spare Parts Summary	3
Part Code Detail	4-7
Notes	8-11
Contacts	12



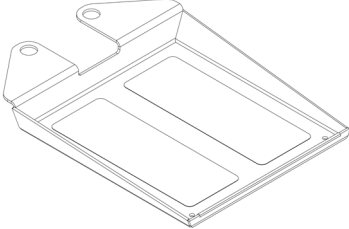
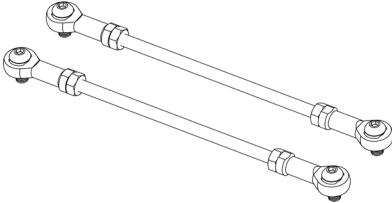
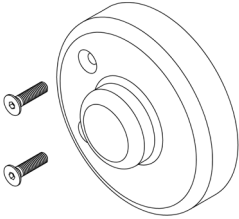
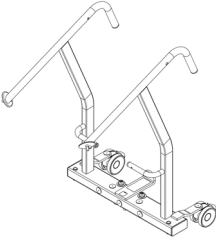
2. Spare Parts Summary

Part Code	Description
107260	Foot Tray Assembly
107908	Leg Rod Kit Assembly
107955	TA180 Fing Trap Guard Kit Assembly
107960	TA180 Main Frame Kit Assembly
107961	TA180 LH Leg Kit Assembly
107962	TA180 RH Leg Kit Assembly
107963	TA180 Kneepad Kit Assembly
107964	TA180 Crossbar Kit Assembly
107965	Manual Leg Opener Kit Assembly
107966	TA180 Seatpad Kit Assembly
107901	Unbraked Castor Kit (Pair)
107902	Braked Castor Kit (Pair)
999062	Freeway TA180 User Manual

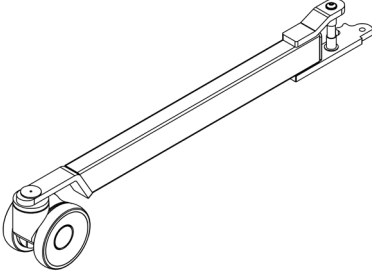
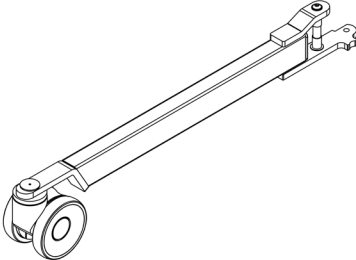
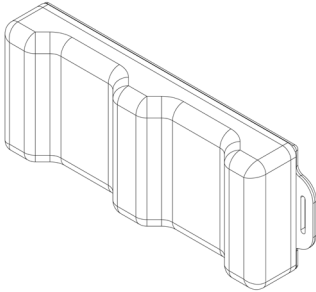
PRODUCT VARIATIONS

- 107425 - Freeway TA180

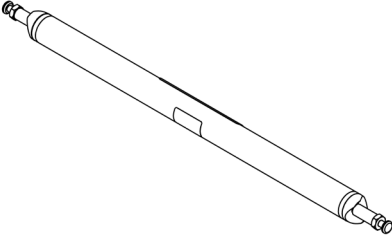
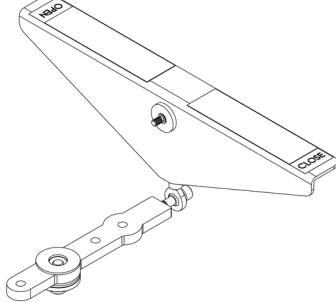
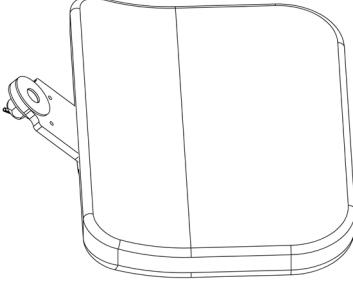
3. Part Code Detail

	<p>Foot Tray Assembly 107260</p>
	<p>Leg Rod Kit Assembly 107908</p>
	<p>TA180 Finger Trap Guard Kit Assembly 107955</p>
	<p>TA180 Main Frame Kit Assembly 107960</p>

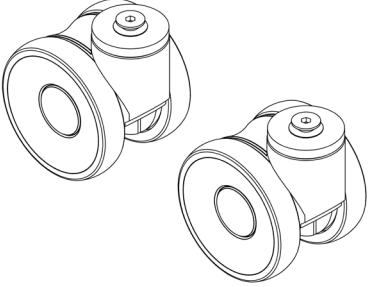
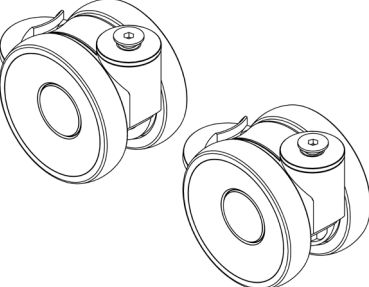

Part Code Detail

	<p>TA180 LH Leg Kit Assembly 107961</p>
	<p>TA180 RH Leg Kit Assembly 107962</p>
	<p>TA180 Kneepad Kit Assembly 107963</p>

Part Code Detail

 A technical line drawing of a long, cylindrical crossbar with threaded ends and a small rectangular label on the side.	<p>TA180 Crossbar Kit Assembly 107964</p>
 A technical line drawing of a manual leg opener mechanism, showing a long, angled metal plate with a pivot point and a smaller component attached to the bottom.	<p>Manual Leg Opener Kit Assembly 107965</p>
 A technical line drawing of a rectangular seatpad with rounded corners and a small mechanical component attached to the left side.	<p>TA180 Seatpad Kit Assembly 107966</p>

Part Code Detail

	<p>Unbraked Castor Kit (Pair) 107901</p>
	<p>Unbraked Castor Kit (Pair) 107902</p>
	<p>Freeway TA180 User Manual 999062</p>



4. Notes



Notes



Notes



Notes



5. Contacts

DEALER CONTACT DETAILS

MANUFACTURER CONTACT DETAILS

Unit 1, Tir Llwyd Industrial Estate, St Asaph Avenue, Kinmel Bay,
Conwy, United Kingdom, LL18 5JZ

Telephone: +44 (0)1924 840100
www.prismmedical.co.uk

DISCLAIMER

While every effort has been made to ensure the accuracy of information contained in this manual, no liability can be accepted by Prism Medical UK for any errors or omissions. Prism Medical UK operates a policy of continuous improvement. Specifications and other data are subject to change without notice.

prismmedicaluk
a prismhealthcare company

UK
CA



CE