

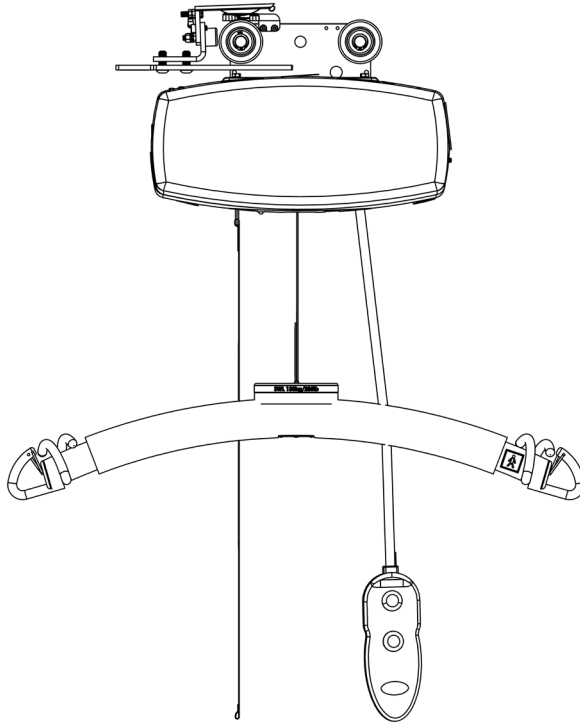


# TRANSACTIVE XTRA CEILING TRACK HOIST











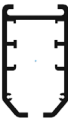





# SPARE PARTS MANUAL

## 1. Contents



Description	Page(s)
Track Types	3
Spare Parts Summary	4-7
Part Code Detail	8-29
Notes	30-31
Contacts	32

## 2. Track Types

Track Type 1		Track Type 2	
Track Type 3		Track Type 4	
Track Type 5		Track Type 6	
Track Type 7		Track Type 8	
Track Type 9		Track Type 10	
Track Type 11		Track Type 12	
Track Type 13		Track Type 14	



### 3. Spare Parts Summary

<b>Part Code</b>	<b>Description</b>
800337	Transactive Xtra Lift Motor
800072	Transactive Xtra Traverse Motor Assembly
800083	Transactive Xtra Battery (Single)
800050	Transactive Xtra Hub Assembly
800056	Transactive Xtra Bottom Plate Assembly
800066	Transactive Xtra Emergency Lower Switch
122011	Transactive Xtra Emergency Lower Cord
800044	Transactive Xtra Strap Pin
800225	Transactive Xtra Manual Lower
122018	2 Way Grommet/Air Tube Assembly
122019	4 Way Grommet/Air Tube Assembly
122082	6 Way Grommet/Air Tube Assembly
800320	Transactive Xtra Bottom Cover (Outer)
800322	Transactive Xtra Bottom Cover (w/LCD)
800334	2 Way Pneumatic Handset (Manual)
800335	4 Way Pneumatic Handset (Driven)
800346	4 Way Pneumatic Handset (Manual)
800336	6 Way Pneumatic Handset (Driven)
122078-130	2 Way PCB - 130 kg SWL
122078-160	2 Way PCB - 160 kg SWL
122078-200	2 Way PCB - 200 kg SWL
122078-270	2 Way PCB - 270 kg SWL
122058-130	4 Way PCB - 130 kg SWL
122058-160	4 Way PCB - 160 kg SWL



## Spare Parts Summary

<b>Part Code</b>	<b>Description</b>
122058-200	4 Way PCB - 200 kg SWL
122058-270	4 Way PCB - 270 kg SWL
122131-130	6 Way PCB - 130 kg SWL
122131-160	6 Way PCB - 160 kg SWL
122131-200	6 Way PCB - 200 kg SWL
122131-270	6 Way PCB - 270 kg SWL
440060	Transactive Xtra Lift Tape - 130 kg SWL
440065	Transactive Xtra Lift Tape - 160 kg SWL
440070	Transactive Xtra Lift Tape - 200 kg SWL
440075	Transactive Xtra Lift Tape - 270 kg SWL
300903	Transactive Xtra Carry Bar - 130 kg SWL
300904	Transactive Xtra Carry Bar - 160 kg SWL
300905	Transactive Xtra Carry Bar - 200 kg SWL
300906	Transactive Xtra Carry Bar - 270 kg SWL
134900	Transactive Xtra Cover Set - 130 kg SWL
134901	Transactive Xtra Cover Set - 160 kg SWL
134902	Transactive Xtra Cover Set - 200 kg SWL
134903	Transactive Xtra Cover Set - 270 kg SWL
134904	Cover Set Powered "H" - 130 kg SWL
134905	Cover Set Powered "H" - 160 kg SWL
134906	Cover Set Powered "H" - 200 kg SWL
134907	Cover Set Powered "H" - 270 kg SWL
600024	Transactive Xtra Spur Plug
600030	Transactive Xtra Euro Plug



## Spare Parts Summary

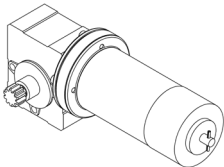
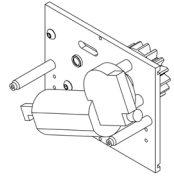
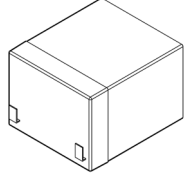
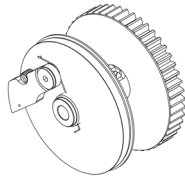
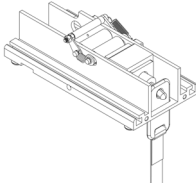
<b>Part Code</b>	<b>Description</b>
122362	Charger Dock (Track Type 1/7)
122365	Charger Dock (Track Type 2/12)
122366	Charger Dock (Track Type 3/4/5/6)
122367	Charger Dock (Track 8/10/11/13/14)
122368	Charger Dock (Track Type 9)
600018	Trolley Top (Manual) (Track Type 1)
600002	Trolley Top (Driven) (Track Type 1)
600075	Trolley Top (QRT) (Track Type 1)
600150	Trolley Top (Manual) (Constant Charge)
600063	Trolley Top (Driven) (Constant Charge)
160016	Trolley Top (Manual) (Track Type 2/13/14)
160015	Trolley Top (Driven) (Track Type 2/13/14)
150009	Trolley Top (Manual) (Track Type 3/4/6)
150019	Trolley Top (Driven) (Track Type 3/4/6)
810001	Trolley Top (Manual) (Track Type 5)
810010	Trolley Top (QRT) (Track Type 5)
170001	Trolley Top (Manual) (Track Type 7)
170006	Trolley Top (Driven) (Track Type 7)
410006	Trolley Top (Manual) (Track Type 8)
410004	Trolley Top (Driven) (Track Type 8)
140024	Trolley Top (Manual) (Track Type 9)
140005	Trolley Top (Driven) (Track Type 9)
940002	Trolley Top (Manual) (Track Type 10)
940005	Trolley Top (Driven) (Track Type 10)



## Spare Parts Summary

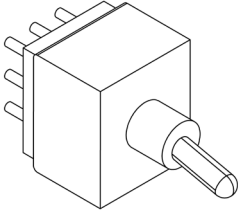
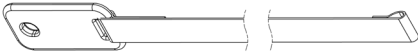
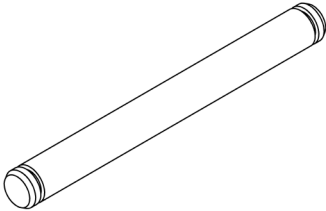

<b>Part Code</b>	<b>Description</b>
890004	Trolley Top (Manual) (Track Type 11)
890003	Trolley Top (Driven) (Track Type 11)
113001	Trolley Top (QRT) (Track Type 12)
160024	Trolley Top (QRT) (Track Type 13/14)
600032	Trolley Top (Driven) (Powered Turntable)
134908	Geared Wheel & Bearing (Track Type 1)
134909	Ungeared Wheel & Bearing (2/11/13/14)
134910	Geared Wheel & Bearing (2/11/13/14)
134911	Ungeared Wheel & Bearing (3/4/5/6)
134912	Geared Wheel & Bearing (3/4/5/6)
134913	Ungeared Wheel & Bearing (Track Type 7)
134914	Geared Wheel & Bearing (Track Type 7)
134915	Ungeared Wheel & Bearing (Track Type 8)
134916	Geared Wheel & Bearing (Track Type 8)
134917	Ungeared Wheel & Bearing (Track Type 9)
134918	Geared Wheel & Bearing (Track Type 9)
134919	Ungeared Wheel & Bearing (Track 10)
134920	Geared Wheel & Bearing (Track Type 10)
134921	Wheel & Bearing (QRT Track Type 1)
134922	Wheel & Bearing (QRT Track 5/12)
134923	Wheel & Bearing (QRT Track 13/14)
999075	Freeway Transactive Xtra User Manual

## 4. Part Code Detail

	<p>Transactive Xtra Lift Motor 800337</p>
	<p>Transactive Xtra Traverse Motor Assembly 800072</p>
	<p>Transactive Xtra Battery (Single) 800083</p>
	<p>Transactive Xtra Hub Assembly 800050</p>
	<p>Transactive Xtra Bottom Plate Assembly 800056</p>







## Part Code Detail

	<p>Transactive Xtra Emergency Lower Switch 800066</p>
	<p>Transactive Xtra Emergency Lower Cord 122011</p>
	<p>Transactive Xtra Strap Pin 800044</p>
	<p>Transactive Xtra Manual Lower 800225</p>

## Part Code Detail

	<p>2 Way Grommet/ Air Tube Assembly 122018</p>
	<p>4 Way Grommet/ Air Tube Assembly 122019</p>
	<p>6 Way Grommet/ Air Tube Assembly 122082</p>
	<p>Transactive Xtra Bottom Cover (Outer) 800320</p>
	<p>Transactive Xtra Bottom Cover (w/LCD) 800322</p>

## Part Code Detail

	<p>2 Way Pneumatic Handset (Manual) 800334</p>
	<p>4 Way Pneumatic Handset (Driven) 800335</p>
	<p>4 Way Pneumatic Handset (Manual) 800346</p>
	<p>6 Way Pneumatic Handset (Driven) 800336</p>

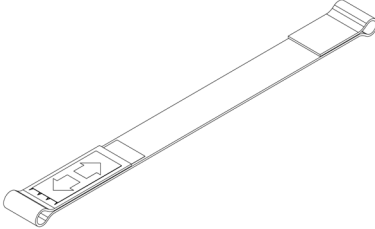
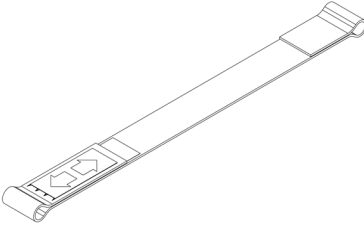
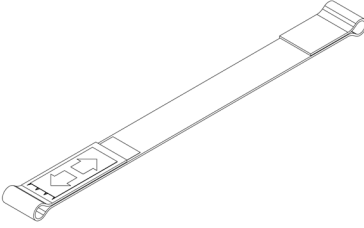
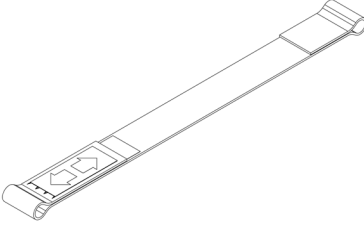
## Part Code Detail

	<p>2 Way PCB - 130 kg SWL 122078-130</p>
	<p>2 Way PCB - 160 kg SWL 122078-160</p>
	<p>2 Way PCB - 200 kg SWL 122078-200</p>
	<p>2 Way PCB - 270 kg SWL 122078-270</p>
	<p>4 Way PCB - 130 kg SWL 122058-130</p>
	<p>4 Way PCB - 160 kg SWL 122058-160</p>

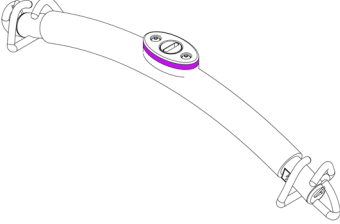
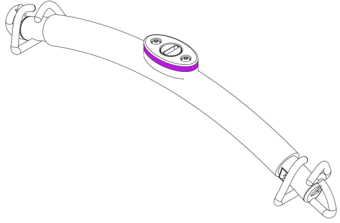
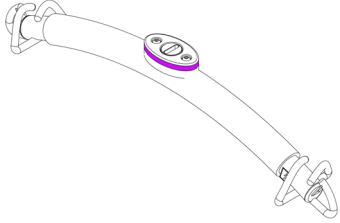
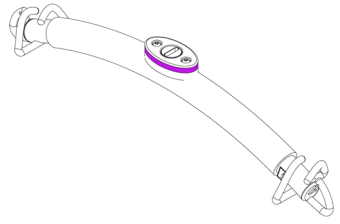
## Part Code Detail

	<p>4 Way PCB - 200 kg SWL 122058-200</p>
	<p>4 Way PCB - 270 kg SWL 122058-270</p>
	<p>6 Way PCB - 130 kg SWL 122131-130</p>
	<p>6 Way PCB - 160 kg SWL 122131-160</p>
	<p>6 Way PCB - 200 kg SWL 122131-200</p>
	<p>6 Way PCB - 270 kg SWL 122131-270</p>

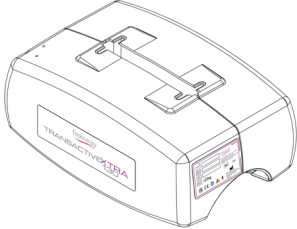
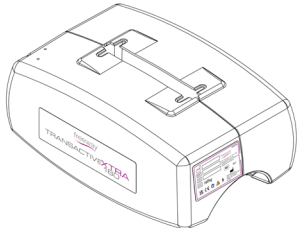
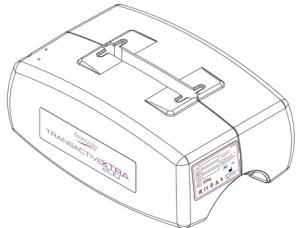
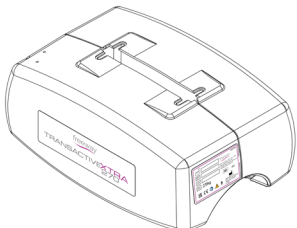
## Part Code Detail

	<p>Transactive Xtra Lift Tape - 130 kg SWL 440060</p>
	<p>Transactive Xtra Lift Tape - 160 kg SWL 440065</p>
	<p>Transactive Xtra Lift Tape - 200 kg SWL 440070</p>
	<p>Transactive Xtra Lift Tape - 270 kg SWL 440075</p>

## Part Code Detail

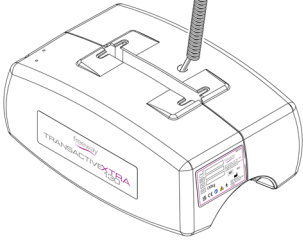
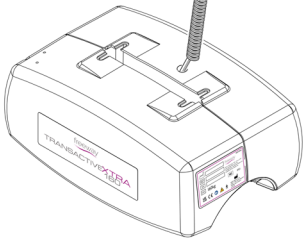
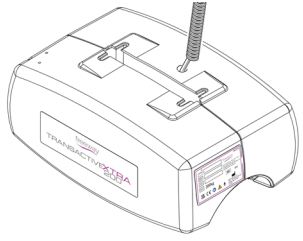
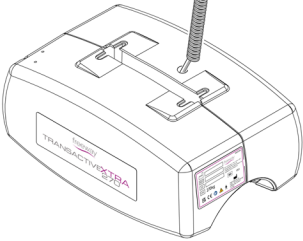
	<p>Transactive Xtra Carry Bar - 130 kg SWL 300903</p>
	<p>Transactive Xtra Carry Bar - 160 kg SWL 300904</p>
	<p>Transactive Xtra Carry Bar - 200 kg SWL 300905</p>
	<p>Transactive Xtra Carry Bar - 270 kg SWL 300906</p>

## Part Code Detail

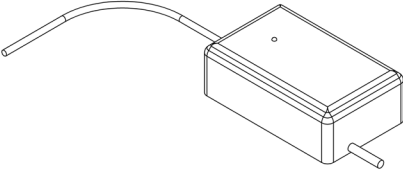
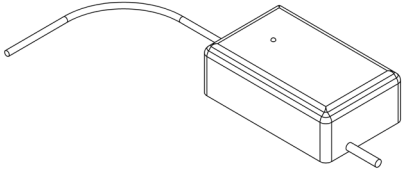
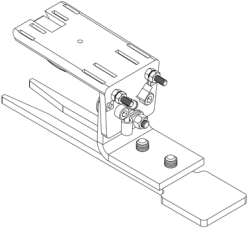
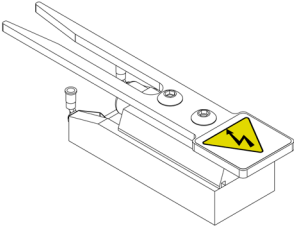
	<p>Transactive Xtra Cover Set - 130 kg SWL 134900</p>
	<p>Transactive Xtra Cover Set - 160 kg SWL 134901</p>
	<p>Transactive Xtra Cover Set - 200 kg SWL 134902</p>
	<p>Transactive Xtra Cover Set - 270 kg SWL 134903</p>



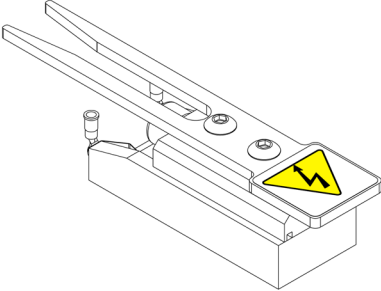
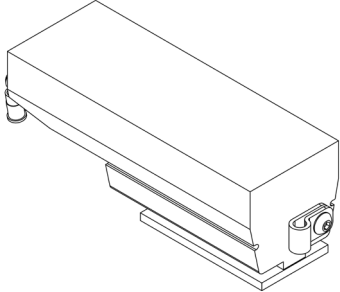
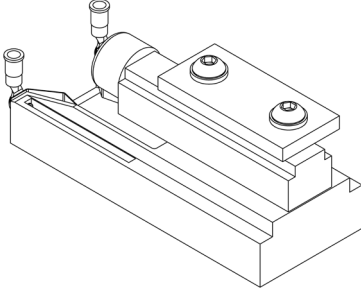
## Part Code Detail

	<p>Cover Set Powered “H” - 130 kg SWL 134904</p>
	<p>Cover Set Powered “H” - 160 kg SWL 134905</p>
	<p>Cover Set Powered “H” - 200 kg SWL 134906</p>
	<p>Cover Set Powered “H” - 270 kg SWL 134907</p>

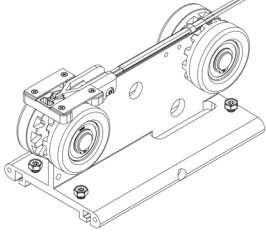
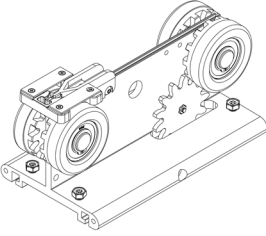
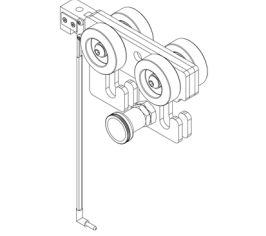
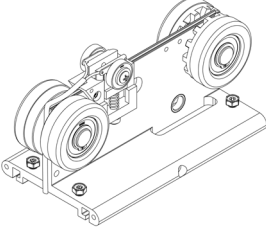
## Part Code Detail

	<p>Transactive Xtra Spur Plug 600024</p>
	<p>Transactive Xtra Euro Plug 600030</p>
	<p>Charger Dock (Track Type 1/7) 122362</p>
	<p>Charger Dock (Track Type 2/12) 122365</p>

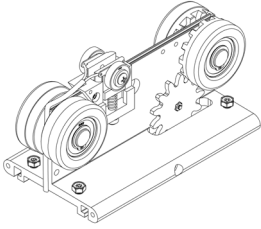
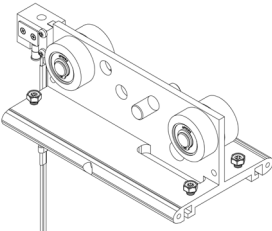
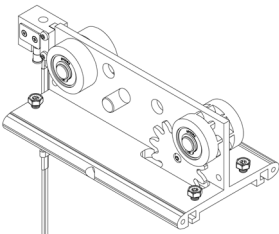
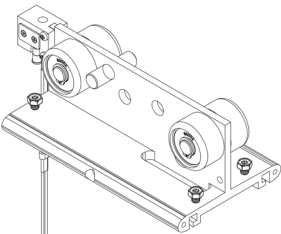
## Part Code Detail

	<p>Charger Dock (Track Type 3/4/5/6) 122366</p>
	<p>Charger Dock (Track Type 8/10/11/13/14) 122367</p>
	<p>Charger Dock (Track Type 9) 122368</p>

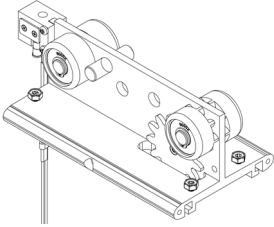
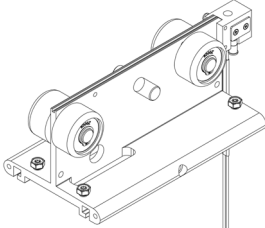
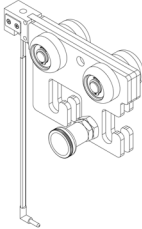
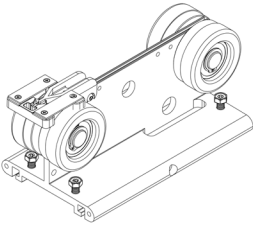
## Part Code Detail

	<p>Trolley Top (Manual) (Track Type 1) 600018</p>
	<p>Trolley Top (Driven) (Track Type 1) 600002</p>
	<p>Trolley Top (QRT) (Track Type 1) 600075</p>
	<p>Trolley Top (Manual) (Constant Charge) 600150</p>

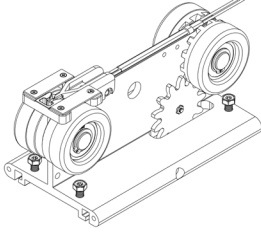
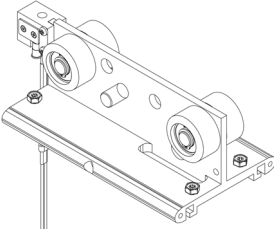
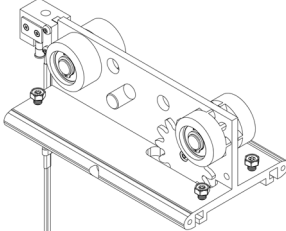
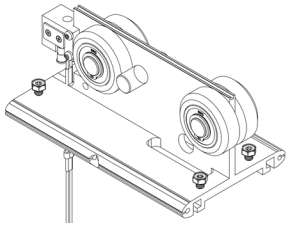
## Part Code Detail

	<p>Trolley Top (Driven) (Constant Charge) 600063</p>
	<p>Trolley Top (Manual) (Track Type 2/13/14) 160016</p>
	<p>Trolley Top (Driven) (Track Type 2/13/14) 160015</p>
	<p>Trolley Top (Manual) (Track Type 3/4/6) 150009</p>

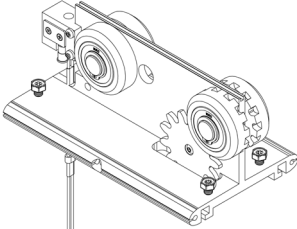
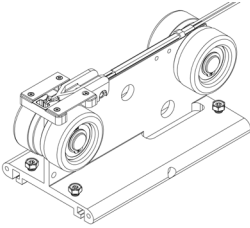
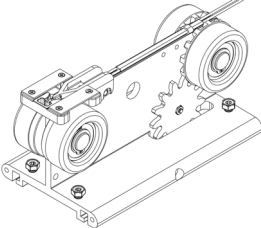
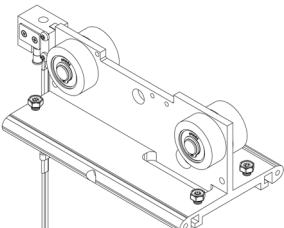
## Part Code Detail

	<p>Trolley Top (Driven) (Track Type 3/4/6) 150019</p>
	<p>Trolley Top (Manual) (Track Type 5) 810001</p>
	<p>Trolley Top (QRT) (Track Type 5) 810010</p>
	<p>Trolley Top (Manual) (Track Type 7) 170001</p>

## Part Code Detail

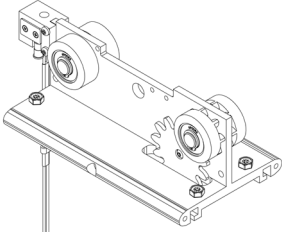
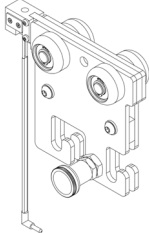
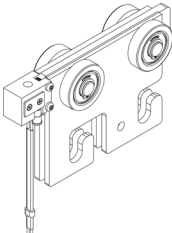
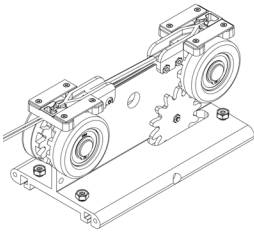
	<p>Trolley Top (Driven) (Track Type 7) 170006</p>
	<p>Trolley Top (Manual) (Track Type 8) 410006</p>
	<p>Trolley Top (Driven) (Track Type 8) 410004</p>
	<p>Trolley Top (Manual) (Track Type 9) 140024</p>

## Part Code Detail

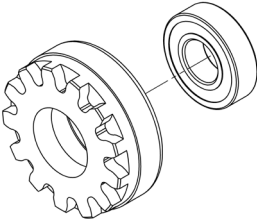
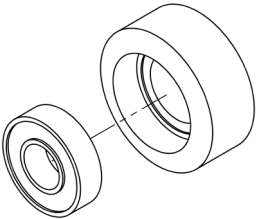
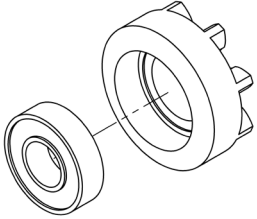
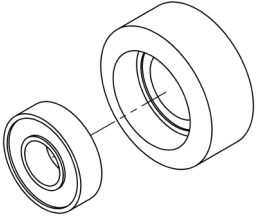
	<p>Trolley Top (Driven) (Track Type 9) 140005</p>
	<p>Trolley Top (Manual) (Track Type 10) 940002</p>
	<p>Trolley Top (Driven) (Track Type 10) 940005</p>
	<p>Trolley Top (Manual) (Track Type 11) 890004</p>



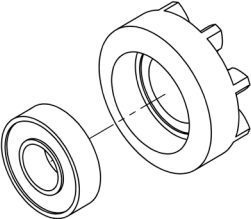
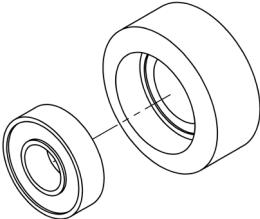
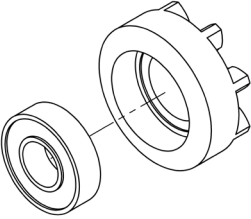
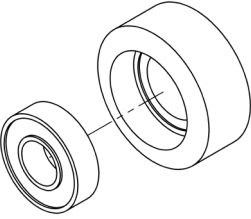
## Part Code Detail

	<p>Trolley Top (Driven) (Track Type 11) 890003</p>
	<p>Trolley Top (QRT) (Track Type 12) 113001</p>
	<p>Trolley Top (QRT) (Track Type 13/14) 160024</p>
	<p>Trolley Top (Driven) (Powered Turntable) 600032</p>

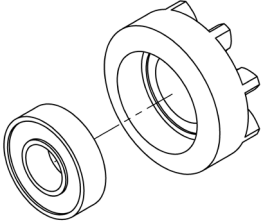
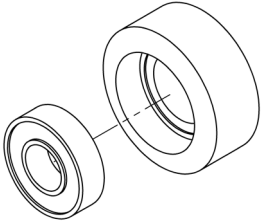
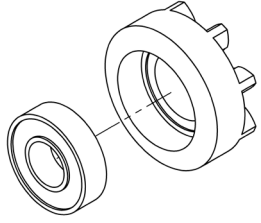
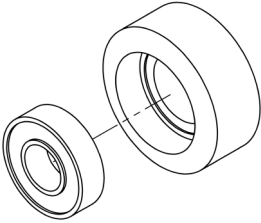
## Part Code Detail

	<p>Geared Wheel &amp; Bearing (Track Type 1) 134908</p>
	<p>Ungeared Wheel &amp; Bearing (2/11/13/14) 134909</p>
	<p>Geared Wheel &amp; Bearing (2/11/13/14) 134910</p>
	<p>Ungeared Wheel &amp; Bearing (3/4/5/6) 134911</p>

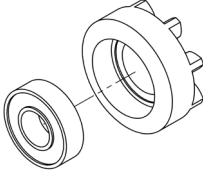
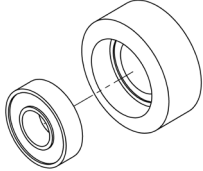
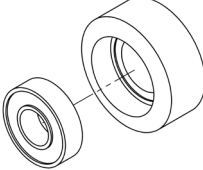
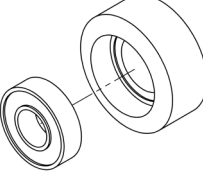
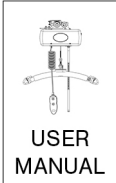
## Part Code Detail

	<p>Geared Wheel &amp; Bearing (3/4/5/6) 134912</p>
	<p>Ungeared Wheel &amp; Bearing (Track Type 7) 134913</p>
	<p>Geared Wheel &amp; Bearing (Track Type 7) 134914</p>
	<p>Ungeared Wheel &amp; Bearing (Track Type 8) 134915</p>

## Part Code Detail

	<p>Geared Wheel &amp; Bearing (Track Type 8) 134916</p>
	<p>Ungeared Wheel &amp; Bearing (Track Type 9) 134917</p>
	<p>Geared Wheel &amp; Bearing (Track Type 9) 134918</p>
	<p>Ungeared Wheel &amp; Bearing (Track Type 10) 134919</p>

## Part Code Detail

	<p>Geared Wheel &amp; Bearing (Track Type 10) 134920</p>
	<p>Wheel &amp; Bearing (QRT Track Type 1) 134921</p>
	<p>Wheel &amp; Bearing (QRT Track 5/12) 134922</p>
	<p>Wheel &amp; Bearing (QRT Track 13/14) 134923</p>
 <p>USER MANUAL</p>	<p>Freeway Transactive Xtra User Manual 999075 (Rev D)</p>



## 5. Notes



## Notes



## 6. Contacts

### DEALER CONTACT DETAILS

### MANUFACTURER CONTACT DETAILS

Unit 1, Tir Llwyd Industrial Estate, St Asaph Avenue, Kinmel Bay,  
Conwy, United Kingdom, LL18 5JZ

Telephone: +44 (0)1924 840100  
[www.prismmedical.co.uk](http://www.prismmedical.co.uk)

### DISCLAIMER

While every effort has been made to ensure the accuracy of information contained in this manual, no liability can be accepted by Prism Medical UK for any errors or omissions. Prism Medical UK operates a policy of continuous improvement. Specifications and other data are subject to change without notice.

**prismmedicaluk**  
a prismhealthcare company

UK  
CA



CE