

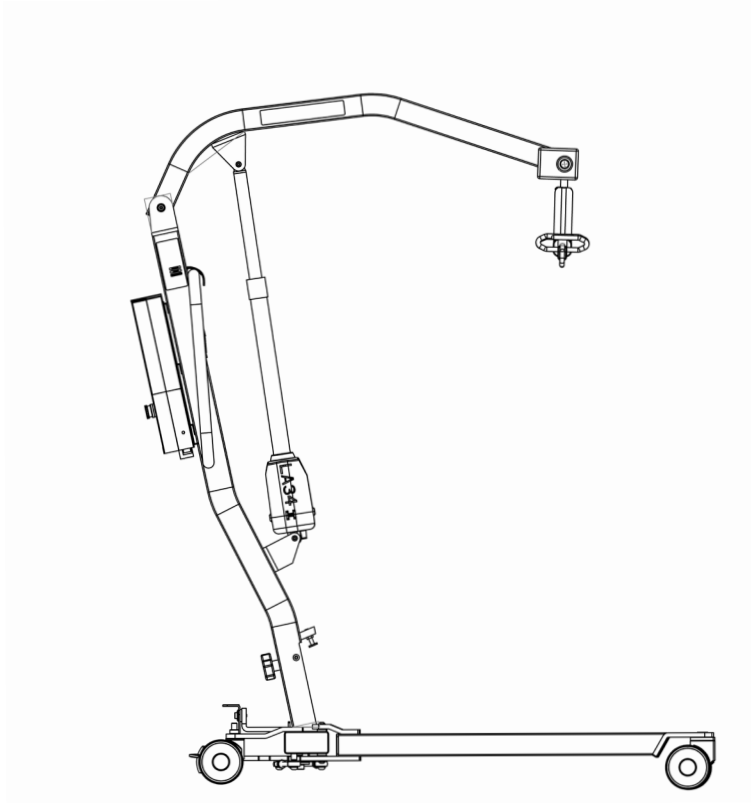
mackworth

M180 MOBILE HOIST



SPARE PARTS MANUAL

1. Contents



Description	Page(s)
Spare Parts Summary	3
Part Code Detail	4-8
Notes	9-11
Contacts	12

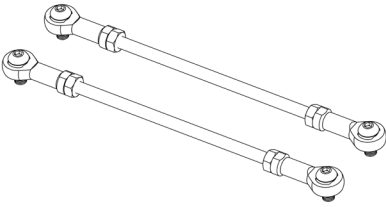
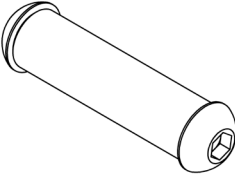

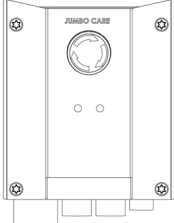
2. Spare Parts Summary

Part Code	Description
107908	Leg Rod Assembly
107909	Folding Mast Connector Assembly
123101	2 Way Handset (Single Battery LED)
123107	2 Way Control Box (Standard)
107904	LH Leg Assembly
107903	RH Leg Assembly
107182	M180 Base Assembly
107906	Lift Actuator Kit
000746	Mast Fixing Screw (Large)
000213	Mast Fixing Screw (Small)
107905	M180 Boom Assembly
107907	M180 Carry Bar Assembly
107181	M180 Mast Assembly (Folding)
107187	M180 Mast Assembly (Fixed)
107745	Boom End Cap
107901	Front Castor Kit (Pair)
107902	Rear Castor Kit (Pair)
300901	QRS Carry Bar Kit Assembly
510005	Battery Pack (2.9Ah Lead Acid)
510091	Mains Snap Lead
510092	Charger Lead (UK Plug)
107088	Lift Actuator Lead (500mm)
999068	Mackworth M180 User Manual

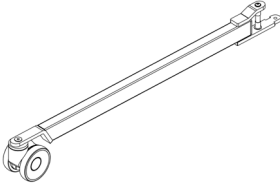
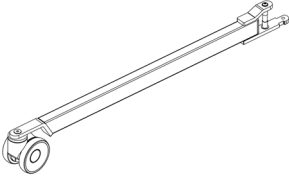
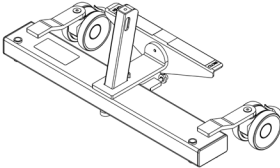
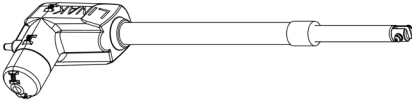
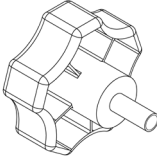
PRODUCT VARIATIONS

- 107000 - Mackworth M180 (Folded)
- 107500 - Mackworth M180 (Fixed)
- 107510 - Mackworth M180 (Folded) - QRS
- 107511 - Mackworth M180 (Fixed) - QRS

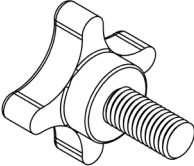
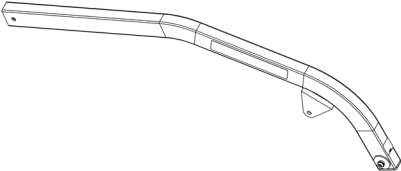
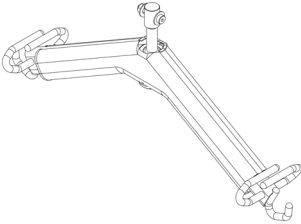
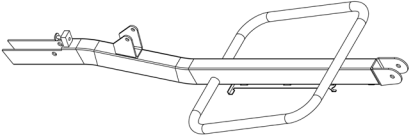
3. Part Code Detail

	<p>Leg Rod Assembly 107908</p>
	<p>Folding Mast Connector Assembly 107909</p>
	<p>2 Way Handset (Single Battery LED) 123101</p>
	<p>2 Way Control Box (Standard) 123107</p>

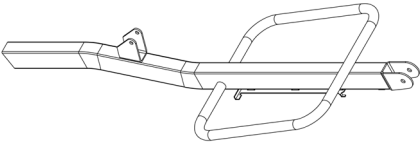
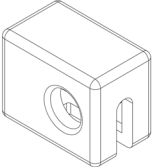
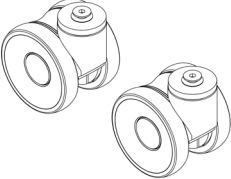
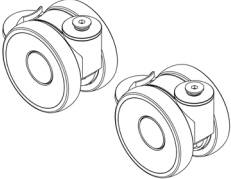
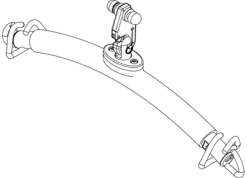
Part Code Detail

	<p>LH Leg Assembly 107904</p>
	<p>RH Leg Assembly 107903</p>
	<p>M180 Base Assembly 107182</p>
	<p>Lift Actuator Kit 107906</p>
	<p>Mast Fixing Screw (Large) 000746</p>


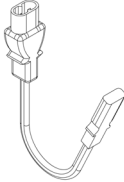

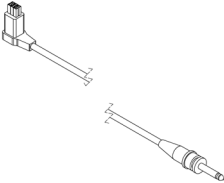

Part Code Detail

	<p>Mast Fixing Screw (Small) 000213</p>
	<p>M180 Boom Assembly 107905</p>
	<p>M180 Carry Bar Assembly 107907</p>
	<p>M180 Mast Assembly (Folding) 107181</p>

Part Code Detail

	<p>M180 Mast Assembly (Fixed) 107187</p>
	<p>Boom End Cap 107745</p>
	<p>Front Castor Kit (Pair) 107901</p>
	<p>Rear Castor Kit (Pair) 107902</p>
	<p>QRS Carry Bar Kit Assembly 300901</p>

Part Code Detail

	<p>Battery Pack (2.9Ah Lead Acid) 510005</p>
	<p>Mains Snap Lead 510091</p>
	<p>Charger Lead (UK Plug) 510092</p>
	<p>Lift Actuator Lead (500mm) 107088</p>
	<p>Mackworth M180 User Manual 999068</p>



4. Notes



Notes



Notes

5. Contacts

DEALER CONTACT DETAILS

MANUFACTURER CONTACT DETAILS

Unit 1, Tir Llwyd Industrial Estate, St Asaph Avenue, Kinmel Bay,
Conwy, United Kingdom, LL18 5JZ

Telephone: +44 (0)1924 840100
www.prismmedical.co.uk

DISCLAIMER

While every effort has been made to ensure the accuracy of information contained in this manual, no liability can be accepted by Prism Medical UK for any errors or omissions. Prism Medical UK operates a policy of continuous improvement. Specifications and other data are subject to change without notice.

prismmedicaluk
a prismhealthcare company

UK
CA



CE