



FSG200

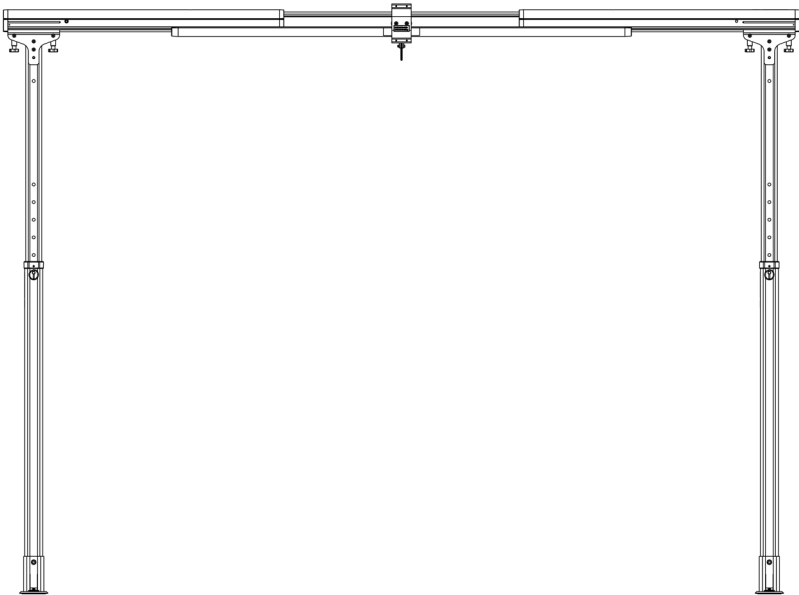
PORTABLE GANTRY



SPARE PARTS MANUAL



1. Contents



Description	Page(s)
Spare Parts Summary	3
Part Code Detail	4-5
Notes	6-7
Contacts	8



2. Spare Parts Summary

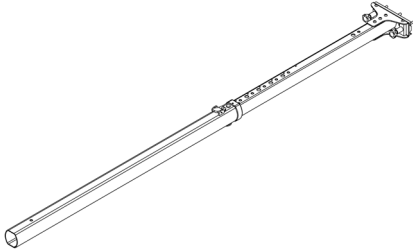

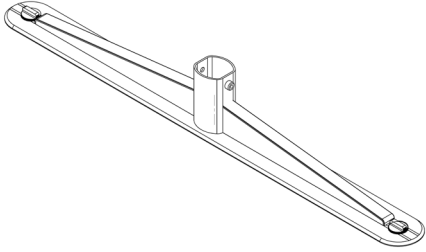
Part Code	Description
114002	FSG200 Side Post Assembly
114003	FSG200 Track Assembly
114007	FSG200 Foot Assembly
540105	FSG200 Trolley Set (Type 1)
114044	FSG200 End Cap
114066	FSG200 Leg Lock Kit
999018	FSG200 User Manual

PRODUCT VARIATIONS

- 114000 - Prism FSG200

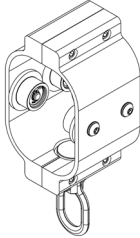
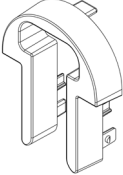
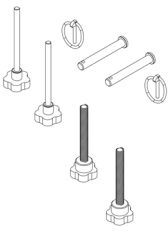



3. Part Code Detail

 A technical line drawing of a long, thin metal side post assembly. It features a series of small holes along its length and a complex mounting bracket at one end.	<p>FSG200 Side Post Assembly 114002</p>
 A technical line drawing of a long, thin metal track assembly, showing a central longitudinal groove and a small protrusion at one end.	<p>FSG200 Track Assembly 114003</p>
 A technical line drawing of a metal foot assembly, which is a long, curved bracket with a central mounting hole and rounded ends.	<p>FSG200 Foot Assembly 114007</p>



Part Code Detail

 A technical drawing of a rectangular metal trolley with a circular opening on the left side and a hook-like protrusion at the bottom.	<p>FSG200 Trolley Set (Type 1) 540105</p>
 A technical drawing of a U-shaped metal component with a small tab on the right side.	<p>FSG200 End Cap 114044</p>
 A technical drawing showing several small metal components: two long pins, two shorter pins, two washers, and two nuts.	<p>FSG200 Leg Lock Kit 114066</p>
 <p>USER MANUAL</p>	<p>FSG200 User Manual 999018</p>



4. Notes



Notes



5. Contacts

DEALER CONTACT DETAILS

MANUFACTURER CONTACT DETAILS

Unit 1, Tir Llwyd Industrial Estate, St Asaph Avenue, Kinmel Bay,
Conwy, United Kingdom, LL18 5JZ

Telephone: +44 (0)1924 840100
www.prismmedical.co.uk

DISCLAIMER

While every effort has been made to ensure the accuracy of information contained in this manual, no liability can be accepted by Prism Medical UK for any errors or omissions. Prism Medical UK operates a policy of continuous improvement. Specifications and other data are subject to change without notice.

prismmedicaluk
a prismhealthcare company

UK
CA



CE