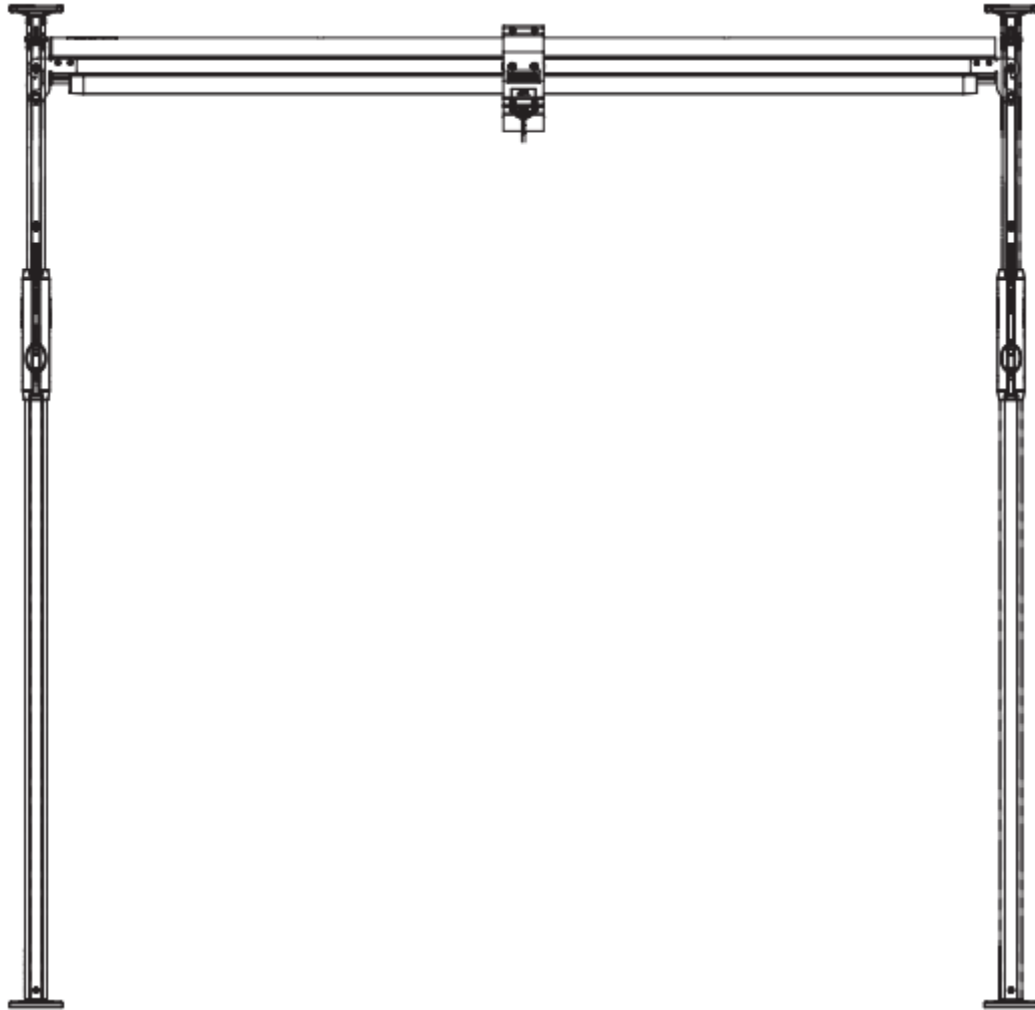


prism

# Pressure Fit 200 Gantry





## Contents

1.0	Intended Use.....	3
1.1	Warning Notes .....	3
1.2	Operating Environment.....	3
2.0	Technical Specification.....	4
2.1	PFS Gantry Dimensions .....	4
2.2	Specifications.....	4
3.0	Environmental - Storage and Operating Conditions.....	5
3.1	Normal operating conditions .....	5
3.2	Shipping and storage conditions .....	5
4.0	Maintenance .....	5
5.0	Cleaning.....	6
5.1	General cleaning.....	6
5.2	Disinfecting (if necessary) .....	6

## Prism PFS Gantry Pre-Sales Information

For further information on the product and details summarised within this document please refer to the Prism PFS Gantry User Manual.

If you require larger print or videos – these are available on the Prism Website <http://prismmedical.co.uk>

### 1.0 Intended Use

For internal use only.



The PFS200 gantry system together with a portable hoist, shall be used for transferring an elderly or disabled person; e.g. in the private homes sector as a portable/temporary track system.

The gantry system is a portable rail system which can be set up practically anywhere but requires a ceiling to be pressurised up against. The gantry system should only be used on solid ceilings. Do not use with a false ceiling or any other fragile construction. The rail system is length and height adjustable, to suit all needs regarding installation and accessibility.

### 1.1 Warning Notes



Your gantry has been manufactured and tested to exceed BS EN 10535:2006. This does not mean that it can be used without care. ALL OPERATORS should have read the operating instructions and appreciate this warning section.



1. PFS200 are less stable on sloping surfaces. Prism medical recommend that the install of the PFS200 is on a flat and level surface, as well as a flat and level ceiling.
2. ALL PFS200 are dangerous to the person being transferred when used without training.

If, during the use of this device or as a result of its use a serious incident has occurred, please report it to the manufacturer and to your national authority

### 1.2 Operating Environment

The PFS200 gantry is suitable for use within the professional health care facility environment as well as the following listed:

- Home environment
- Hospital and/or treatment centre
- Residential care home
- Education institute

The PFS200 is not suitable for any special environments.

This product is not intended to be used in environments where there are rapid changes in the environmental temperature and humidity during intended use.

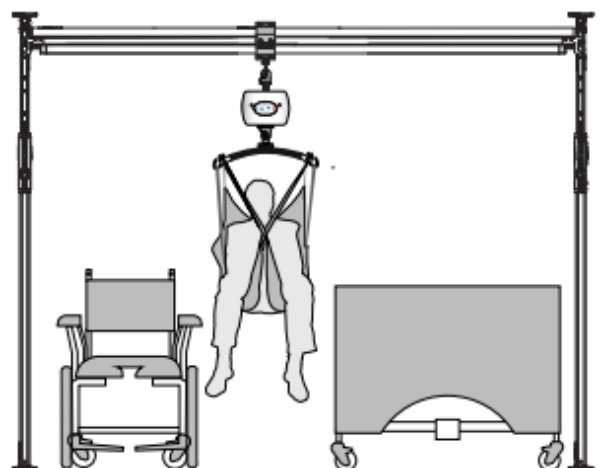


Figure 1

## 2.0 Technical Specification

### 2.1 PFS Gantry Dimensions

All dimensions below are shown in millimetres.

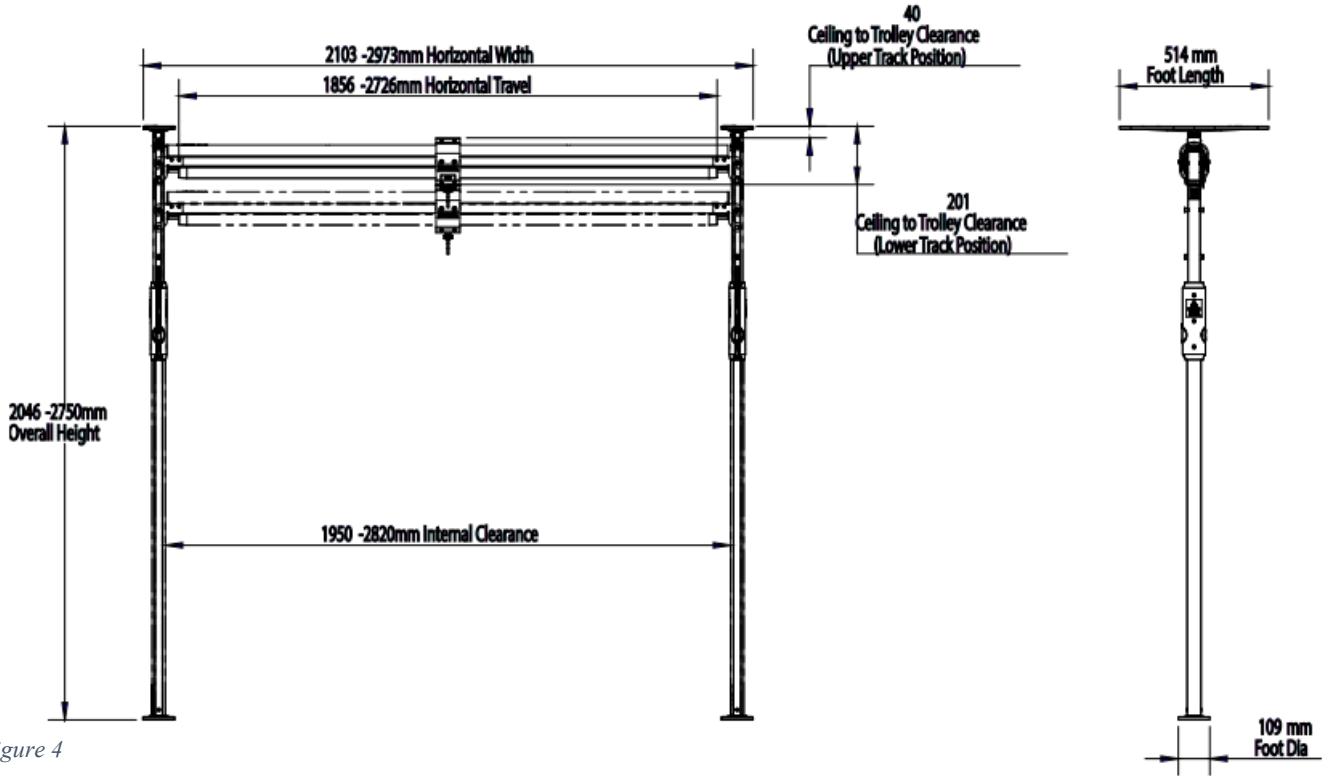


Figure 4

### 2.2 Specifications

Dimensions	
Maximum Height	2750mm
Lowest Height	2046mm
Maximum Length	514mm
Minimum Length	514mm
Maximum Width	2973mm
Minimum Width	2103mm
Internal maximum clearance	2820mm
Internal minimum clearance	1950mm

Table 3

Weights	
Track	6.8 kg
Support post, ceiling plate & foot	9.4 kg
Ful product	23 kg

Table 4

Operational Forces	
Moving Trolley – with hoist (0Kg)	6N
Moving Trolley (200kg)	97N

Table 5

## 3.0 Environmental - Storage and Operating Conditions

The gantry is intended for internal use within normal environmental conditions.



It is not intended to be used in environments where there are rapid changes in the environmental temperature and humidity during use.

### 3.1 Normal operating conditions

+5°C to +40°C (41°F to 104°F) at a relative humidity between 15% to 90% RH, non-condensing but not requiring a water vapour pressure greater than 50hPa and atmospheric pressure between 700hPa to 1060hPa.

### 3.2 Shipping and storage conditions

-25°C to +5°C (-13°F to 41°F) with any humidity level.

+5°C to +35°C (41°F to 95°F) at a relative humidity up to 90%.

+35°C to 70°C (95°F to 158°F) non-condensing at a water vapour pressure up to 50hPa.

## 4.0 Maintenance



No service is to be carried out on a Prism PFS200, while transferring a person to reduce the risk of injury.

Service must be completed by a Prism Medical UK authorised Service Engineer.

Do not attempt to service the product yourself, or warranty is void.

To ensure the safety and continued good function of your gantry, routine service must be performed on your PFS200.

Service should be completed by a Prism Medical UK approved service engineer every 6 months to ensure the products required standard is maintained. The service history of the product should be documented each service in the Service Log at the back of this User Manual.



When the Gantry is serviced, the 6-month service checklist must be completed for the PFS200.

Service Manual Document Number: 99091

Spare Parts Manual Document Number 992091

The Service must be completed every 6 months after installation of the Hoist to comply with LOLER Regulations.

The Prism PFS200 Gantry has an expected Service Life of 10 Years.

Contact your local authorised Prism Medical UK dealer if you:

- Need more information.
- Have any questions about the use or service of your Gantry.
- Notice any change in the performance.
- Want to report an unexpected occurrence.
- Want to arrange a service.
- Need to ascertain necessary information for replacement parts and components.

Contact details of your local Prism Medical UK dealer are shown on the last page of this manual.

## 5.0 Cleaning

Please follow the cleaning guidelines below on cleaning and disinfecting the Gantry.

### 5.1 General cleaning



It is recommended to clean the PFS200 and accessories before the use by a different patient, reducing the risk of cross-contamination.

The exterior of the PFS200 can be cleaned using a damp soapy cloth for general cleaning duties. Please ensure the cloth is damp and not wet. Ensure the exterior of the device is dry after cleaning. Dry using a clean dry cloth.

### 5.2 Disinfecting (if necessary)

Should the Gantry require a more thorough clean, the use of the Actichlor™ disinfectant product (which is widely available in tablet form and used throughout the health care industry) is recommended.



Follow the manufacturer's safety instructions for the use of the cleaning product before use to ensure safe use for the operator and the patient.

Ensure the cloth is damp before the cleaning process.

Application is through a clean damp cloth applied to wipe the device down. Use in the following dilutions to ensure an effective clean:

- Actichlor™ dissolvable chlorine tablets provide a concentration of 1000 ppm of available chlorine (0.1%) per 1 tablet
- 1 tablet (1.7g formed tablet (x1)) will create a virucidal solution, diluted in 1 litre of water to provide effective means to clean a "dirty" device. This is also ideal for use after an outbreak of the Norovirus/winter vomiting and can be used as a precaution against C.Diff. It is effective against viruses, bacteria, spores, yeasts and moulds.
- The contact time against the outer components of the device should be for 5 minutes to prevent any virucidal infections without a degradation to the functionality of the device. 5 minutes is a recommended contact time. The device can withstand a longer contact period but the 5 minute recommendation as a minimum must be followed to provide an effective cleaning regime.
- Blood spills should be dealt with by an increased concentration of the solution – please refer to the instructions on the manufacturers product labelling.



Dealer/service contact details:

**Prism Medical UK Contact details:**

**Address:** Unit 1 • Tir Llwyd Industrial Estate • St Asaph Avenue • Kinmel Bay • Conwy • LL18 5JZ

**Telephone Number:** 01924 840 100

## Disclaimer

While every effort has been made to ensure the accuracy of information contained in this pre sales manual, no liability can be accepted by Prism Medical UK for any errors or omissions.

Prism Medical UK operates a policy of continuous improvement. Specifications and other data are subject to change without notice.



The Prism Medical UK logo, featuring the word 'prism' in a lowercase, sans-serif font. Below the text is a stylized blue wave graphic that underlines the word.



Unit 1 • Tir Llwyd Industrial Estate • St Asaph Avenue •  
Kinmel Bay • Conwy • LL18 5JZ