

prism

Pressure Fit

Pressure Fit System



Spare Parts Manual

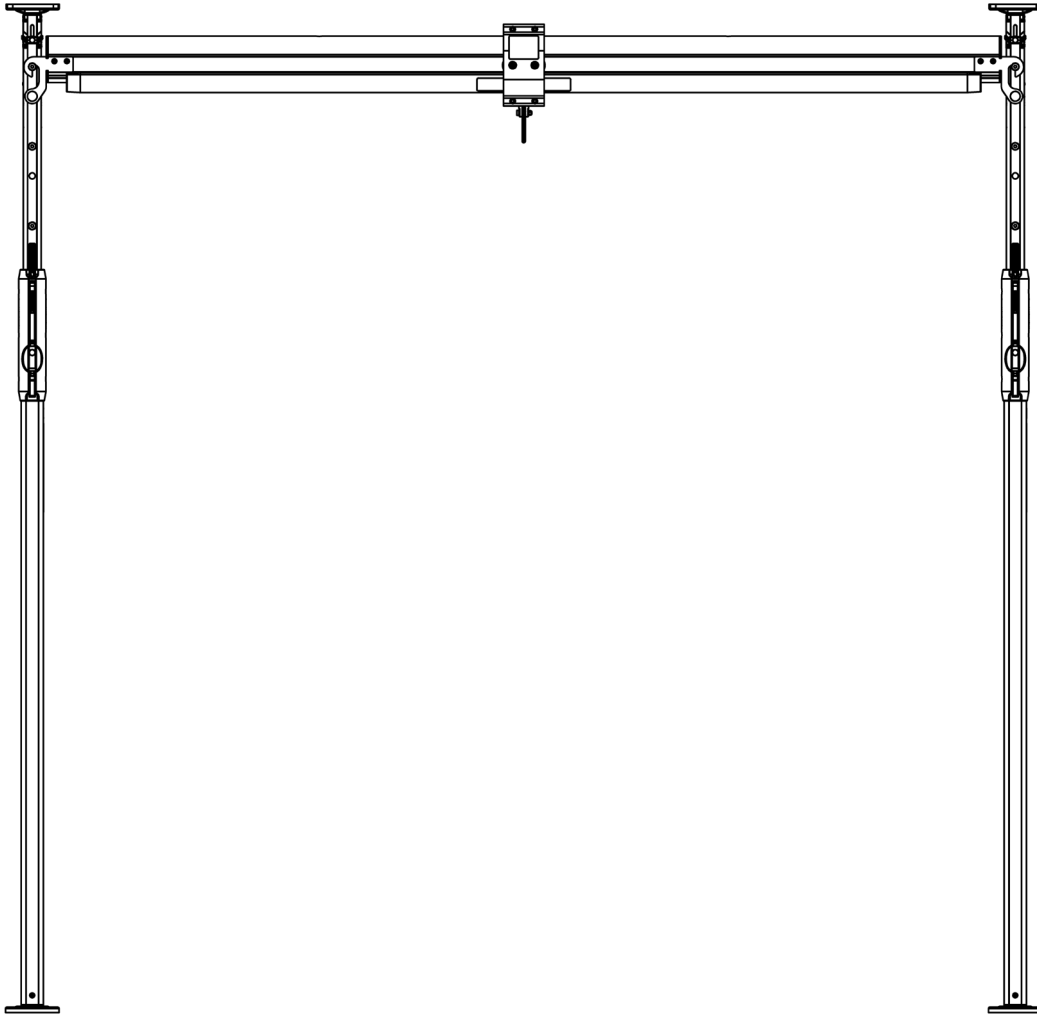


Contents

1

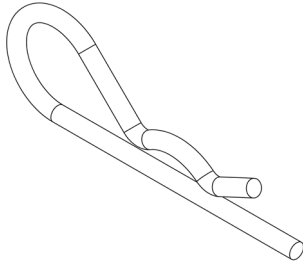
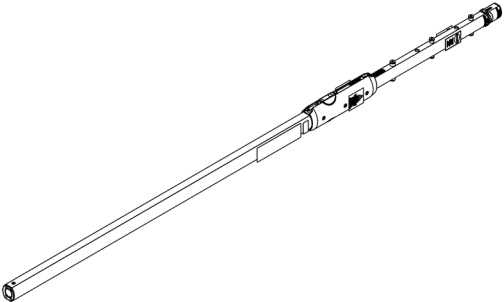
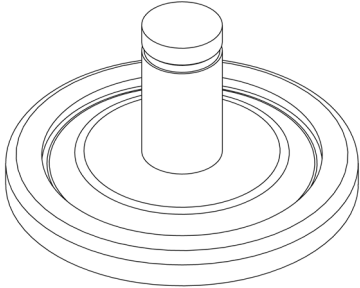
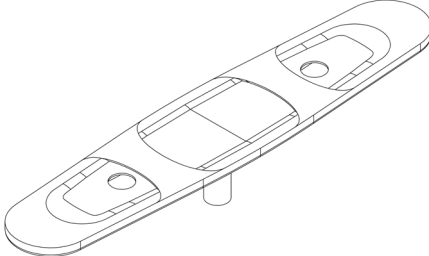
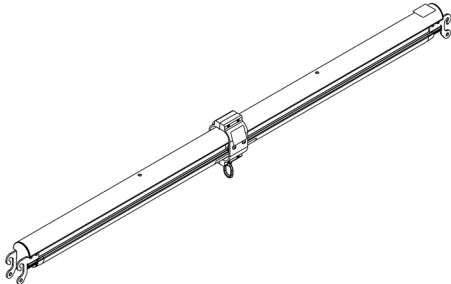
1 Contents	2
2 Spare Parts Summary	3
3 Part Code Detail	4
4 Notes	6
5 Contacts	8

2

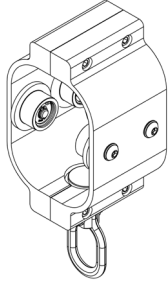
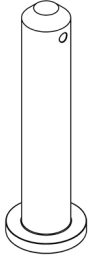
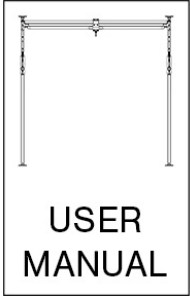


Article No.	Part Code	Description
1.	000845	R Clip - 3 x 60mm
2.	540001	Pressure Fit Post Assembly
3.	540008	Pressure Fit Bottom Foot Assembly
4.	540009	Pressure Fit Top Foot Assembly
5.	540106	Pressure Fit Trolley and Track Assembly
6.	540105	Pressure Fit Trolley Assembly
7.	540116	Pressure Fit Track Locating Pin
8.	999091	Prism Pressure Fit User Manual

3

1.		<p>R Clip – 3 x 60mm 000845</p>
2.		<p>Pressure Fit Post Assembly 540001</p>
3.		<p>Pressure Fit Bottom Foot Assembly 540008</p>
4.		<p>Pressure Fit Top Foot Assembly 540009</p>
5.		<p>Pressure Fit Trolley and Track Assembly 540106</p>

Part Code Detail

6.		<p>Pressure Fit Trolley Assembly 540105</p>
7.		<p>Pressure Fit Track Locating Pin 540116</p>
8.		<p>Priam Pressure Fit User Manual 999091</p>



Notes

4



Notes



DEALER CONTACT DETAILS

MANUFACTURER CONTACT DETAILS

Unit 1, Tir Llwyd Industrial Estate, St Asaph Avenue, Kinmel Bay,
Conwy, United Kingdom, LL18 5JZ

Telephone: +44 (0)1924 840100
www.prismmedical.co.uk

DISCLAIMER

While every effort has been made to ensure the accuracy of information contained in this manual, no liability can be accepted by Prism Medical UK for any errors or omissions. Prism Medical UK operates a policy of continuous improvement. Specifications and other data are subject to change without notice.

