

mackworth

SA180 Stand Aid



CONTENTS

1.0 Intended Use.....3
 1.1 Warning Notes3
 1.2 Operating Environment.....3
2.0 Slings4
 2.1 Sling Attachment/Detachment4
 2.2 Compatible Slings.....4
3.0 Detachable Parts.....5
 3.1 Attaching/detaching the Battery5
4.0 Technical Specification.....6
 4.1 Mackworth SA180 Dimensions6
 4.2 Specifications.....7
 4.3 Electrical Specifications.....7
5.0 Environmental - Storage and Operating Conditions.....8
 5.1 Normal Operating Conditions8
 5.2 Shipping and Storage Conditions8
6.0 Maintenance8
7.0 Cleaning.....9
 7.1 General Cleaning9
 7.2 Disinfecting (if necessary)9

Mackworth SA180 Pre-Sales Information

For further information on the product and details summarised within this document please refer to the Mackworth SA180 User Manual.

If you require larger print or videos – these are available on the Prism Website <http://prismmedical.co.uk>

1.0 Intended Use

For internal use only.



The Mackworth SA180 is a Standing Aid to be used by trained personnel. The Stand Aid is a medical device which carries out safe lifting and transfers of an individual from one resting surface to another (such as a shower chair to a bed). Prism Medical UK recommends that the transfer of a patient is fully risk assessed and conducted safely over a short distance only. Carrying out each transfer correctly for minimal strain or risk to the caregiver, while providing complete safety, dignity and comfort to the client. The Mackworth SA180 is suitable for patients in the SITTING position only, who have a degree of weight-bearing ability but require assistance to stand. By removing the foot tray, The Stand Aid can be used as a walking aid if competent and trained person completes an adequate risk assessment of the surroundings, and the patient is observed during use. The Mackworth SA180 is designed to support and promote safe patient handling and transfer for both the patient and carer.

The Stand Aid is one of two components that makes this possible. The other component, the sling, is a specially designed fabric accessory that attaches to the Stand Aid by means of the boom Loop attachment and straps, and holds the patient during operation.

Please refer to the user guides supplied with the sling and reference them while reviewing this manual.

The functions of raising and lowering the boom, and opening/closing the legs are accomplished by pressing buttons on the hand control.

1.1 Warning Notes



Your Mackworth SA180 has been manufactured and tested to exceed BS EN 10535:2006. This does not mean that it can be used without care. ALL OPERATORS should have read the operating instructions and appreciate this warning section.

1. ALL Stand Aids are less stable on sloping surfaces. A 5-degree slope is the maximum permitted and then only with great care.
2. ALL Stand Aids are dangerous to the person being transferred when used recklessly or pushed at speed.

1.2 Operating Environment

The Mackworth SA180 is suitable for use within the professional health care facility environment as well as the home health care environment. The Stand Aid is not suitable for any special environments.

The Stand Aid is not intended to be used in environments where there are rapid changes in the environmental temperature and humidity during intended use.

2.0 Slings

The Mackworth SA180 is designed to be used in combination with a Sling to perform its intended use. The sections below include the correct and safe manor of attaching/detaching the Slings as well as a list of approved slings for use.

2.1 Sling Attachment/Detachment

Sling loops should be attached as follows:

1. Put the required sling loop onto your finger and thumb and open the selected sling loop up (Figure 1 & Figure 2).
2. Slide the sling loop onto the sling hook (Figure 3).
3. Follow the hook profile around until the sling loop is positioned at the base of the hook (Figure 4).



Figure 1



Figure 2



Figure 3



Figure 4

To remove the sling, simply reverse the processes shown in the above statements

2.2 Compatible Slings

Below is a list of slings that are recommended and have been approved by Prism Medical UK for use in combination with the product.

We recommend the use of the Mackworth Healthcare or Care-Ability manufactured sling range (type 'B' applied part) to be utilised with the Mackworth SA180 Stand Aid. It is at the user's discretion to use alternative supplied product. In utilising another manufacturer's sling, checks must first be made to ensure the sling is safe to use and meets the requirements of BS EN ISO 10535 before its use.

The slings with a safe working load of 180kg that can be used with the Mackworth SA180 Stand Aid are shown in the table below, for full details on the various Sling sizes and material options. See the User Manual for the specific Sling Model.

Mackworth Sling Range
Holly - Stand Aid Transport Sling
Maple - Stand Aid Sling With Back Support
Poplar - Stand Aid Sling

Table 1

Care Ability Sling Range
CA800 Chest Sling
CA801 Chest Sling
CA900 Transport Sling

Table 2

3.0 Detachable Parts

The only detachable part that is included with this product is the Battery. Below are the instructions for attaching and detaching the Battery correctly.

3.1 Attaching/detaching the Battery

The attachment and detachment of the Battery can be completed safely by following the following procedure:

Attach

1. Grab Hold of the Battery from the top position as shown in figure 5 and place your fingers onto the latch.
2. Press the latch to release the Battery and lift the Battery from its fixing. (Figure 6)

Detach

1. Place the Battery into the fixing location and push it forward into placement, the Battery will “click” into place.



Figure 5



Figure 6



Figure 7

4.0 Technical Specification

4.1 Mackworth SA180 Dimensions

All dimensions below are shown in millimetres.

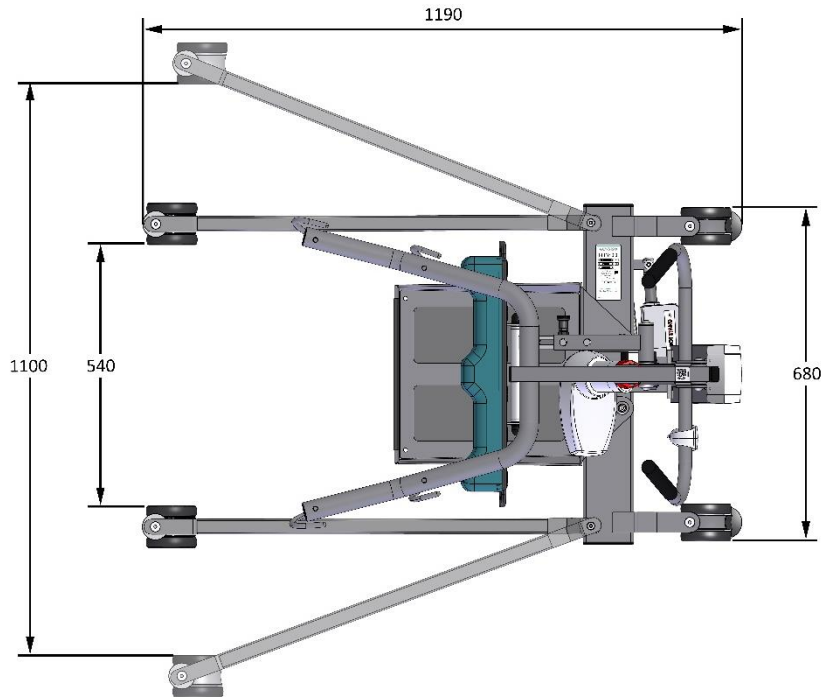


Figure 8

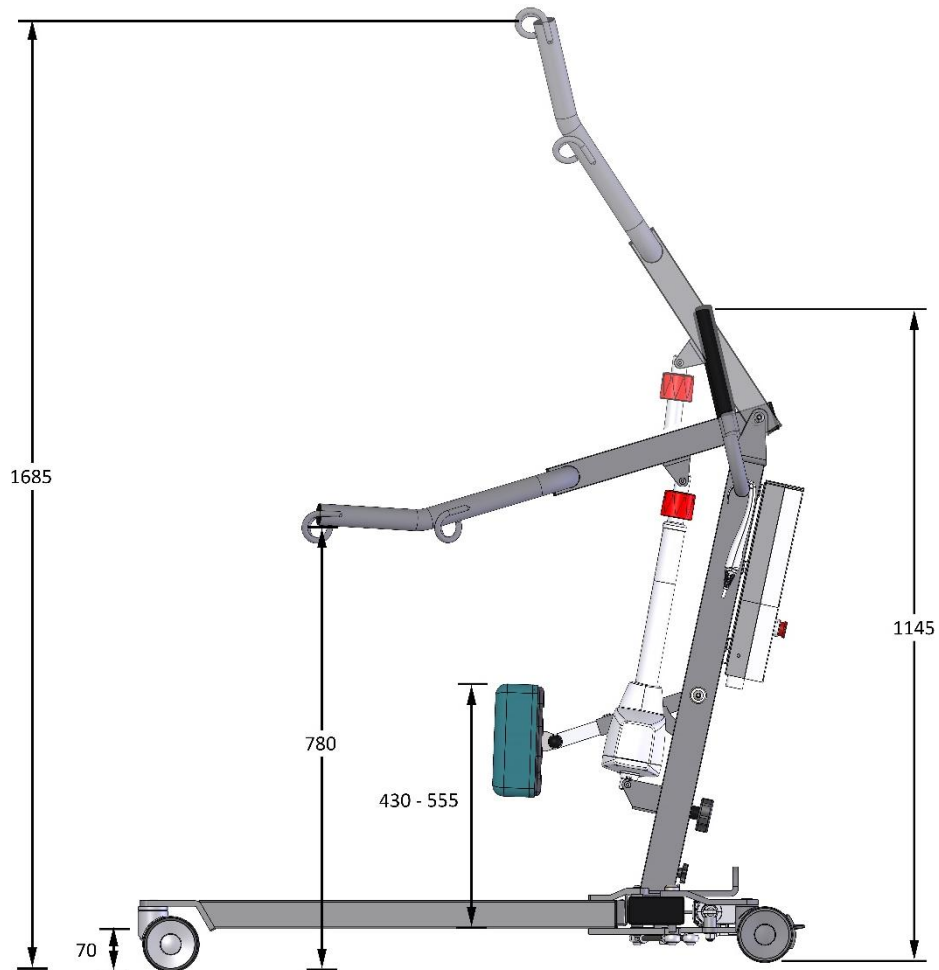


Figure 9

4.2 Specifications

Dimensions	
Turning Circle	1230mm
Overall Height	1720mm
Overall Width	680mm
Ground Clearance	33mm
Front and Rear Castors Size	100mm

Table 3

Weights:	
Safe Working Load (SWL)	180 kg
Full Product	47 kg
Base Assembly	23 kg
Mast & Boom Assembly	24 kg

Table 4

Operational Forces	
Moving Force (with 180 kg)	104.5 N
Moving Force (with 0 kg)	20 N
Operation of the Brake	35 N
Handset	4.5 N
E-Stop Button	12 N
Manual Leg Lever (with 0kg)	80 N

Table 5

4.3 Electrical Specifications

Battery type:	2 x 12-volt Rechargeable sealed lead acid.
Battery capacity:	24 V DC, 1 x 2.9 Ah
Charger rated input:	230VAC 50/60Hz
Charger rated output:	27.4/29.0 VDC @ 0.8A

Electric Shock Protection

Charger:	Class II *Lift - internal power source
Degree of shock protection:	Type B *Lift - internal power source
Duty cycle:	10% Use – 90% Rest (90 seconds use - 810 seconds rest)
IP rating, control box:	IPX4
IP rating, battery:	IPX5
IP rating, handset:	IPX4

5.0 Environmental - Storage and Operating Conditions

The Mackworth SA180 is intended for internal use within normal environmental conditions.



It is not intended to be used in environments where there are rapid changes in the environmental temperature and humidity during intended use.

5.1 Normal Operating Conditions

+5°C to +40°C (41°F to 104°F) at a relative humidity between 15% to 90% RH, non-condensing but not requiring a water vapour pressure greater than 50hPa and atmospheric pressure between 700hPa to 1060hPa.

5.2 Shipping and Storage Conditions

-25°C to +5°C (-13°F to 41°F) with any humidity level.

+5°C to +35°C (41°F to 95°F) at a relative humidity up to 90%.

+35°C to 70°C (95°F to 158°F) non-condensing at a water vapour pressure up to 50hPa.

6.0 Maintenance



No service is to be carried out on the Mackworth SA180 while transferring a person to reduce the risk of injury.

Service must be completed by a Prism Medical UK authorised Service Engineer.

Do not attempt to service the product yourself, or warranty is void.

To ensure the safety and continued good function of your Stand Aid, routine service must be performed on your Mackworth SA180 Stand Aid.

Service should be completed by a Prism Medical UK approved service engineer every 6 months to ensure the products required standard is maintained. The service history of the product should be documented each service in the Service Log at the back of this User Manual.



When the Stand Aid is serviced, the 6 month service checklist must be completed for the Mackworth SA180 Stand Aid.

Service Manual Document Number: 995065

Spare Parts Manual Document Number: 992065

The Service must be completed every 6 months after installation of the Stand Aid to comply with LOLER Regulations.

The Mackworth SA180 Stand Aid has an expected Service Life of 10 Years.

Contact your local authorised Prism Medical UK dealer if you:

- Need more information.
- Have any questions about the use or service of your Stand Aid.
- Notice any change in the performance.
- Want to report an unexpected occurrence.
- Want to arrange a service.
- Need to ascertain necessary information for replacement parts and components.

Contact details of your local Prism Medical UK dealer are shown on the last page of this manual.

7.0 Cleaning

Please follow the cleaning guidelines below on cleaning and disinfecting the Stand Aid.

7.1 General Cleaning



It is recommended to clean the Mackworth SA180 and accessories before use by a different person, reducing the risk of cross-contamination.

The exterior of the Mackworth SA180 can be cleaned using a damp soapy cloth for general cleaning duties. Please ensure the cloth is damp and not wet. Ensure the exterior of the device is dry after cleaning. Dry using a clean dry cloth.

7.2 Disinfecting (if necessary)

Should the Stand Aid require a more thorough clean, the use of the Actichlor™ disinfectant product (which is widely available in tablet form and used throughout the health care industry) is recommended.



Follow the manufacturer's safety instructions for the use of the cleaning product before use to ensure safe use for the operator and the patient.

Ensure the cloth is damp before the cleaning process.

Application is through a clean damp cloth applied to wipe the device down. Use in the following dilutions to ensure an effective clean:

- Actichlor™ dissolvable chlorine tablets provide a concentration of 1000 ppm of available chlorine (0.1%) per 1 tablet
- 1 tablet (1.7g formed tablet (x1)) will create a virucidal solution, diluted in 1 litre of water to provide effective means to clean a "dirty" device. This is also ideal for use after an outbreak of the Norovirus/winter vomiting and can be used as a precaution against C.Diff. It is effective against viruses, bacteria, spores, yeasts and moulds.
- The contact time against the outer components of the device should be for 5 minutes to prevent any virucidal infections without a degradation to the functionality of the device. 5 minutes is a recommended contact time. The device can withstand a longer contact period but the 5 minute recommendation as a minimum must be followed to provide an effective cleaning regime.
- Blood spills should be dealt with by an increased concentration of the solution – please refer to the instructions on the manufacturers product labelling.

Manufacturer contact details:

Prism Medical UK

Address: Unit 1 • Tir Llwyd Industrial Estate • St Asaph Avenue • Kinmel Bay • Conwy • LL18 5JZ

Telephone Number: 01924 840100

Disclaimer

While every effort has been made to ensure the accuracy of information contained in this user manual, no liability can be accepted by Prism Medical UK for any errors or omissions. Prism Medical operates a policy of continuous improvement. Specifications and other data are subject to change without notice.



mackworth

Unit 1 • Tir Llwyd Industrial Estate • St Asaph Avenue •
Kinmel Bay • Conwy • LL18 5JZ



107772