



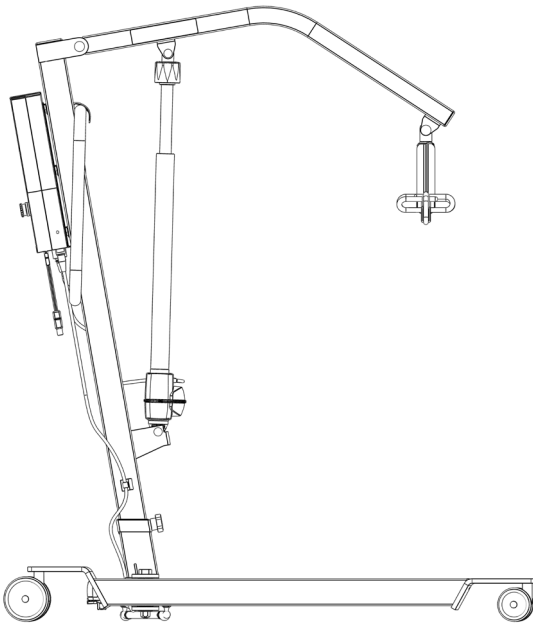
M205

MOBILE HOIST



SPARE PARTS MANUAL

1. Contents



Description	Page(s)
Spare Parts Summary	3
Part Code Detail	4-8
Notes	9-11
Contacts	12



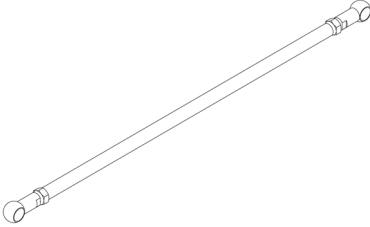
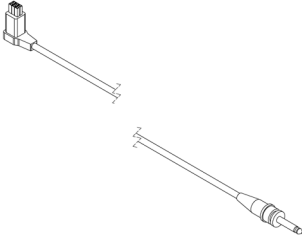

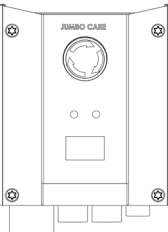
2. Spare Parts Summary

Part Code	Description
123007	Leg Rod Assembly
123082	Leg Actuator Lead (1250mm)
123102	4 Way Handset (Battery & Service LED)
123109	4 Way Control Box (LCD & Data Logging)
123905	LH Leg Assembly
123906	RH Leg Assembly
123907	Leg Actuator Kit
123919	Lift Actuator Kit
123909	Mast Fixing Kit
123910	Front Castor Kit (Pair) - Type 1
123911	Rear Castor Kit (Pair) - Type 1
123958	Front Castor Kit (Pair) - Type 2
123959	Rear Castor Kit (Pair) - Type 2
123922	Freeway M205 Base Assembly
123920	Freeway M205 Boom Assembly
123928	Freeway M205 Carry Bar Assembly
123921	Freeway M205 Mast Assembly
300900	QRS Carry Bar Kit Assembly
510005	Battery Pack (2.9Ah Lead Acid)
510091	Mains Snap Lead
510092	Charger Lead (UK Plug)
107088	Lift Actuator Lead (500mm)
999069	Freeway M205 User Manual

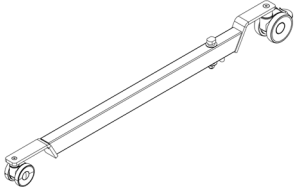
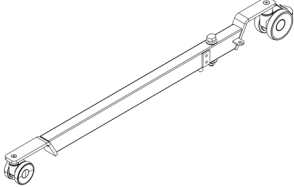
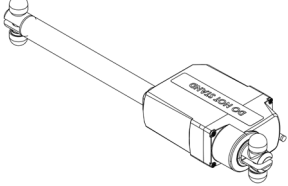
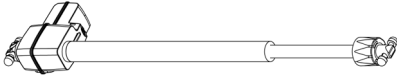
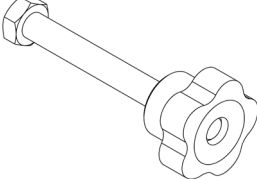
PRODUCT VARIATIONS

- 123300 - Freeway M205
- 123301 - Freeway M205 - QRS

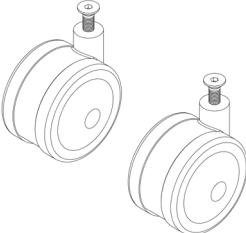
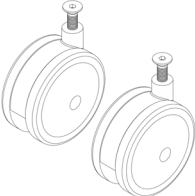
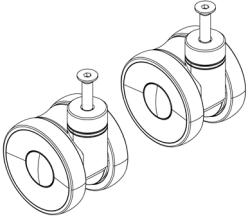
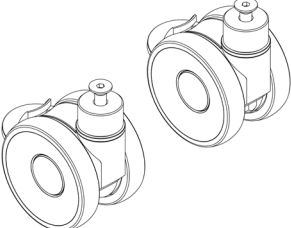
3. Part Code Detail

	<p>Leg Rod Assembly 123007</p>
	<p>Leg Actuator Lead (1250mm) 123082</p>
	<p>4 Way Handset (Battery & Service LED) 123102</p>
	<p>4 Way Control Box (LCD & Data Logging) 123109</p>

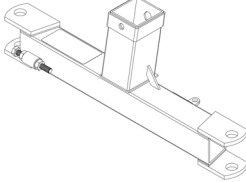

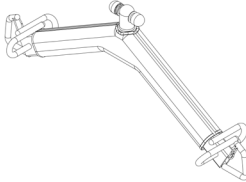
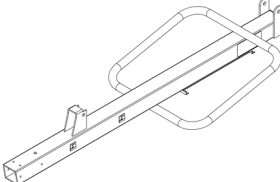
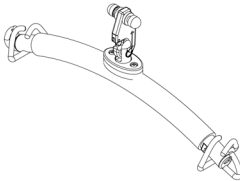
Part Code Detail

	<p>LH Leg Assembly 123905</p>
	<p>RH Leg Assembly 123906</p>
	<p>Leg Actuator Kit 123907</p>
	<p>Lift Actuator Kit 123919</p>
	<p>Mast Fixing Kit 123909</p>


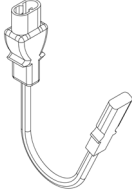

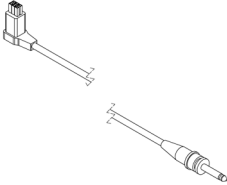

Part Code Detail

	<p>Front Castor Kit (Pair) Type 1 123910</p>
	<p>Rear Castor Kit (Pair) Type 1 123911</p>
	<p>Front Castor Kit (Pair) Type 2 123958</p>
	<p>Rear Castor Kit (Pair) Type 2 123959</p>

Part Code Detail

	<p>Freeway M205 Base Assembly 123922</p>
	<p>Freeway M205 Boom Assembly 123920</p>
	<p>Freeway M205 Carry Bar Assembly 123928</p>
	<p>Freeway M205 Mast Assembly 123921</p>
	<p>QRS Carry Bar Kit Assembly 300900</p>

Part Code Detail

	<p>Battery Pack (2.9Ah Lead Acid) 510005</p>
	<p>Mains Snap Lead 510091</p>
	<p>Charger Lead (UK Plug) 510092</p>
	<p>Lift Actuator Lead (500mm) 107088</p>
	<p>Freeway M205 User Manual 999069</p>



4. Notes



Notes



Notes



5. Contacts

DEALER CONTACT DETAILS

MANUFACTURER CONTACT DETAILS

Unit 1, Tir Llwyd Industrial Estate, St Asaph Avenue, Kinmel Bay,
Conwy, United Kingdom, LL18 5JZ

Telephone: +44 (0)1924 840100
www.prismmedical.co.uk

DISCLAIMER

While every effort has been made to ensure the accuracy of information contained in this manual, no liability can be accepted by Prism Medical UK for any errors or omissions. Prism Medical UK operates a policy of continuous improvement. Specifications and other data are subject to change without notice.

prismmedicaluk
a prismhealthcare company

UK
CA



CE